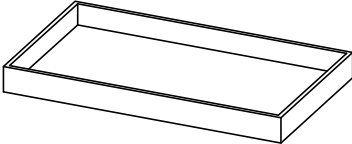
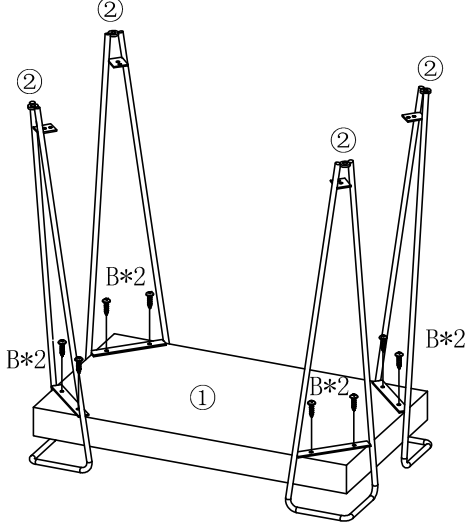
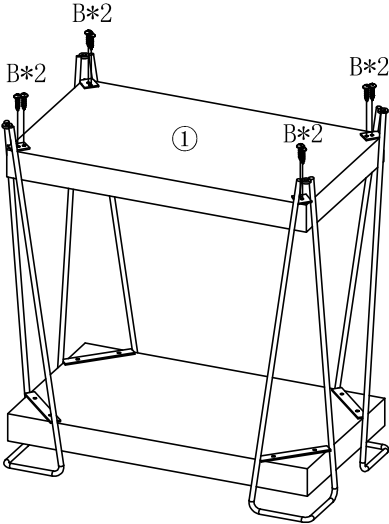
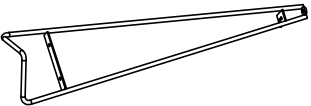
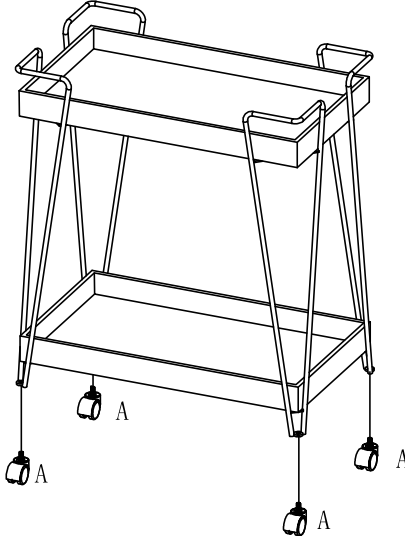
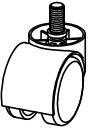



ASSEMBLY INSTRUCTION

ITEM: Metal-Cart

NO	PART LIST	QTY	STEP 1	STEP 2
①	 <p>WOODEN TRAY</p>	2PCS	<p>Begin assembly by attaching metal legs (2) to the bottom side of wooden tray(1) and screwing 2pcs round head screws (B) per leg using screw driver.</p> 	<p>attaching metal legs (2) to the bottom side of another wooden tray(1) and screwing 2pcs round head screws (B) per leg using screw driver.</p> 
②	 <p>METAL LEGS</p>	4PCS		<p>STEP 3 Attache the wheel(A) to bottom of metal leg(2) by aligning the hole and screwing it into per leg.</p> 
NO	HARDWARE LIST	QTY		
A	 <p>WHEEL</p>	4PCS		
B	 <p>ROUND HEAD SCREWS Ø3x12 mm</p>	16PCS		